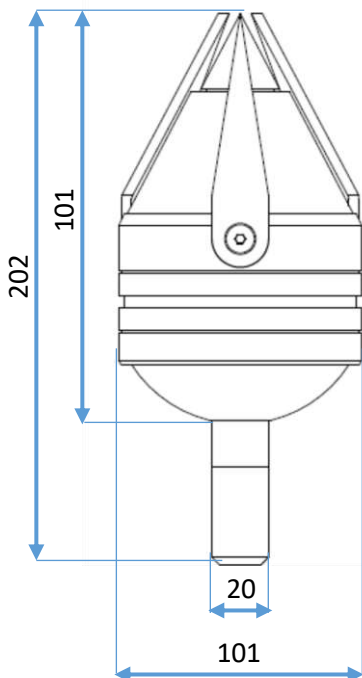




STAR® 325

EARLY STREAMER EMISSION (ESE) AIR TERMINAL

Reference	STAR325
Technical specifications	
Power Δt	25 - microsecond boot time (us)
Lightning shock	Wave 10/350 microseconds
Test 100 kA	NFC 17102
Streamer	<ul style="list-style-type: none"> • System technology with controlled priming technology® • High impulse voltage
Structure	<ul style="list-style-type: none"> • Electromagnetic cage, with electromechanical crimping • 3 stainless steel 316 differential fins
Operation	
Ascending Tracer Detection	• Continuous measurement of ambient natural electric field
Power Management	<ul style="list-style-type: none"> • Totally autonomous • No external power supply
Maintenance	<ul style="list-style-type: none"> • Modular parts interchangeable in factory • Dimension - \varnothing 101 x 202 mm - M20 thread • Tightening torque
Test system (option)	<ul style="list-style-type: none"> • Star Evolution Tester • Specific remote control
Impact on the environment	• 100% recyclable
Guarantee	► 5 years manufacturer
Conditioning	
Packaging	<ul style="list-style-type: none"> • Adapted to the size of the STAR • Dedicated custom cradles
Size of the box	<ul style="list-style-type: none"> • 205 x 103 x 103 mm • 100% recyclable
Net weight	1,475 Kgs
Gross weight	1,661 Kgs (with specific box)
Certifications	
Traceability / Control	<ul style="list-style-type: none"> • Laser marking or specific engraving • Indestructible self-labeling system • Authentication by serial number • Certified reference to the order
Conformity	<ul style="list-style-type: none"> • NFC17102/1995 • NFC17102/2009 • NFC17102/2011
Customs code	• 85 36 90 85



Lightning Rod - Air Terminal STAR325®

Early Streamer Emission (ESE).

- **STAR® range.** Lightning Protection.



STAR® 325

Reference: STAR325

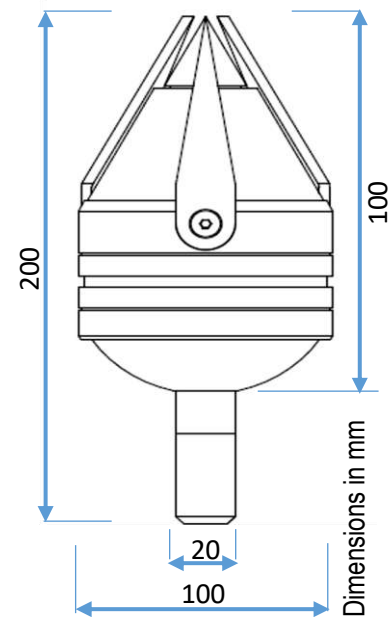
Description: **Lightning rod - Air Terminal
Early Streamer Emission**

Power: **($\Delta I = 25 \mu s$)**
▶ 3 stainless steel 316 differential fins

Net weight: 1.475 kgs

Gross weight: 1.661 kgs (Package included)

Dimensions: 202x101 mm



STAR® 325 - PROTECTION RADIUS EFFICIENCY **+25 μs**

H meters	LEVEL 1	LEVEL 2	LEVEL 3	LEVEL 4
2	17	23	26	28
3	25	34	37	39
4	31	46	49	51
5	42	57	63	67
10	44	61	70	74
20	45	65	72	77

Protection distances in meters



www.foudretech.com

info@foudretech.com