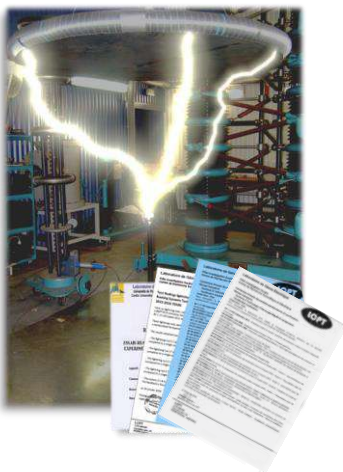


STAR® 325 Evolution

**EARLY STREAMER EMISSION (ESE)
AIR TERMINAL – TESTING REMOTE**



Solar segment



Reference

STAR325 Evo

Technical specifications

Power Δt	25 - microseconds boot time (μs)
Lightning shock	Wave 10/350 microseconds
Test 100 kA	NFC 17102
Streamer	<ul style="list-style-type: none"> • System technology with controlled priming technology® • High impulse voltage
Structure	<ul style="list-style-type: none"> • Electromagnetic cage, with electromechanical crimping • 3 stainless steel 316 differential fins

Fonctionnement

Ascending Tracer Detection	• Continuous measurement of ambient natural electric field
Power Management	<ul style="list-style-type: none"> • Totally autonomous • No external power supply
Maintenance	<ul style="list-style-type: none"> • Modular parts interchangeable in factory • Dimension - 242 x 151 mm - M20 thread • Tightening torque

Test system

Satellit self test

Specific remote control

Fixing lug

Lightning down connection

Universal mounting bracket

Instructions for use

- **Star Evolution Tester**
- **Photovoltaic autonomy** (no battery)
- **Included** (Reference S1205)
- **Stainless steel**
- **Included** (Reference RAPC01)
- **Included** (Reference MANR01)
- **included**

Impact on the environment

- 100% recyclable

Guarantee

► **5 years manufacturer**

Conditioning

Packaging

- Adapted to the size of the STAR
- Dedicated custom cradles

Size of the box

• 300 x 200 x 150 mm

Net weight

• 1,848 Kgs

Gross weight

• 1,968 Kgs (with specific box)

Certifications

Traceability / Control

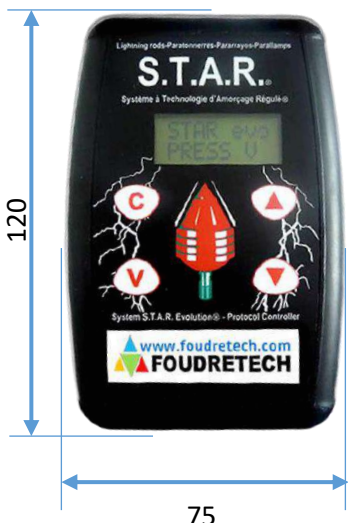
- Laser marking or specific engraving
- Indestructible self-labeling system
- Authentication by serial number
- Certified reference to the order

Conformity

- NFC17102/1995
- NFC17102/2009
- NFC17102/2011

Customs Code

• 85 36 90 85





Early Streamer Emission (ESE). Air Terminal STAR325®

Lightning Rod - STAR® Evolution - Testing remote.



STAR® 325 Evolution

► Testing Remote

Function test included.

Reference : STAR325 evo

Description : **Lightning rod - Air Terminal
Early Streamer Emission
Autonomous photovoltaic system.
Remote control tests.**

Power : **($\Delta I = 25 \mu s$)**
► 3 stainless steel 316 differential fins

Net weight : 1.848 kgs

Gross weight : 1.968 kgs (Package included)

Dimensions : 242x151 mm



Included in the STAR® 325 Evo pack.

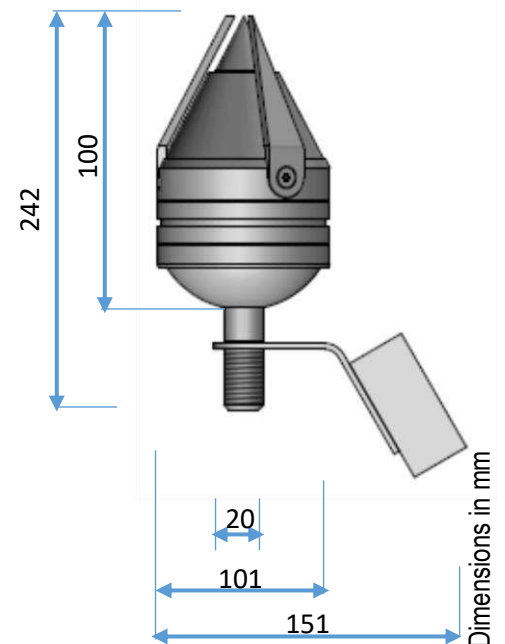
- ✓ STAR®325 Evolution Photovoltaic,
- ✓ Remote test remote control,
- ✓ Conductor fixing connection,
- ✓ Adaptation all supports,
- ✓ Technical assistance,
- ✓ Warranty 5 years manufacturer.

(Ref. STAR325 evo)

(Ref. S1205)

(Ref. RAPC02)

(Ref. MANR01)





Early Streamer Emission (ESE). Air Terminal STAR325®

Lightning Rod - STAR® Evolution - Testing remote.

STAR® 325 Evolution - PROTECTION RADIUS EFFICIENCY +25µs

H meters	LEVEL 1	LEVEL 2	LEVEL 3	LEVEL 4
2	17	23	26	28
3	25	34	37	39
4	31	46	49	51
5	42	57	63	67
10	44	61	70	74
20	45	65	72	77

Protection distances in meters

► Advantages of the STAR® Evolution ESEAT Testing remote :

- ✓ Stand-alone Photovoltaic Power Supply,
- ✓ Remote control tests,
- ✓ Function tests,
- ✓ Product recognition,
- ✓ Electrical continuity test,
- ✓ Dating of the impacts of the lightning,
- ✓ List of lightning strikes,
- ✓ Respect of the environment,
- ✓ 5 years manufacturer's warranty.



THE + SAFETY

► The test system is used to interrogate the STAR® Evolution lightning rod, and to know its operating status without moving.

Manage the "health" and history of your STAR in real time.

This advanced technology is for the user, through a gain in security after information processing.

