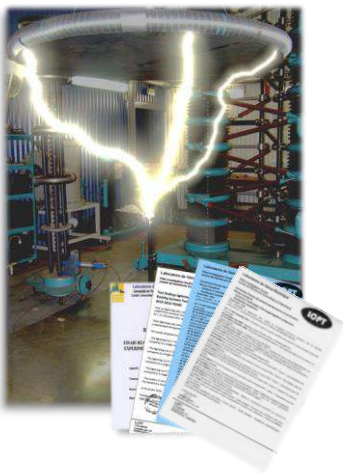
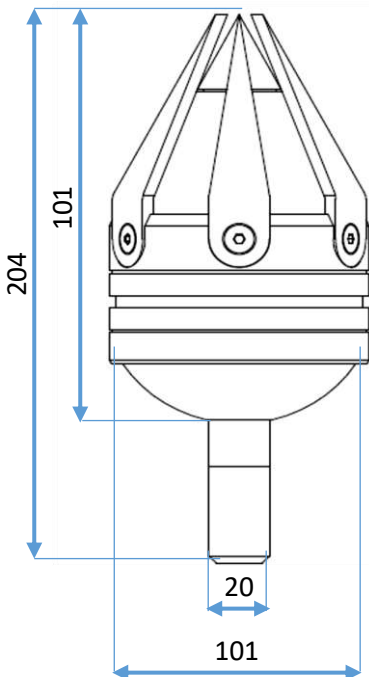


STAR® 645

EARLY STREAMER EMISSION (ESE) AIR TERMINAL



Reference	STAR645
Technical specifications	
Power Δt	45 - microsecond boot time (us)
Lightning shock	Wave 10/350 microseconds
Test 100 kA	NFC 17102
Streamer	<ul style="list-style-type: none"> • System technology with controlled priming technology® • High impulse voltage
Structure	<ul style="list-style-type: none"> • Electromagnetic cage, with electromechanical crimping • 6 stainless steel 316 differential fins
Operation	
Ascending Tracer Detection	• Continuous measurement of ambient natural electric field
Power Management	<ul style="list-style-type: none"> • Totally autonomous • No external power supply
Maintenance	<ul style="list-style-type: none"> • Modular parts interchangeable in factory • Dimension - \varnothing 101 x 204 mm - M20 thread • Tightening torque
Test system (option)	<ul style="list-style-type: none"> • Star Evolution Tester • Specific remote control
Impact on the environment	• 100% recyclable
Guarantee	► 5 years manufacturer
Conditioning	
Packaging	<ul style="list-style-type: none"> • Adapted to the size of the STAR • Dedicated custom cradles
Size of the box	<ul style="list-style-type: none"> • 205 x 103 x 103 mm • 100% recyclable
Net weight	1,505 Kgs
Gross weight	1,695 Kgs (with specific box)
Certifications	
Traceability / Control	<ul style="list-style-type: none"> • Laser marking or specific engraving • Indestructible self-labeling system • Authentication by serial number • Certified reference to the order
Conformity	<ul style="list-style-type: none"> • NFC17102/1995 • NFC17102/2009 • NFC17102/2011
Customs code	• 85 36 90 85



Lightning Rod - Air Terminal STAR645®

Early Streamer Emission (ESE).

STAR® range. Lightning Protection.



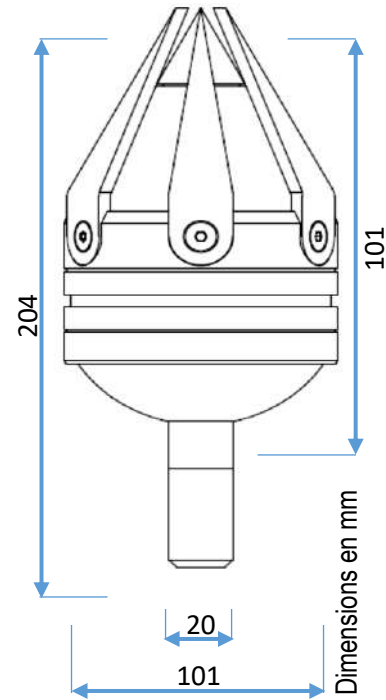
STAR® 645

Reference: STAR645

Description: **Lightning rod - Air Terminal
Early Streamer Emission**

Power: **($\Delta I = 45 \mu s$)**
► 6 stainless steel 316 differential fins

Net weight : 1.505 kgs
Gross weight : 1.695 kgs (Package included)
Dimensions : 204x101 mm



STAR® 645 - PROTECTION RADIUS EFFICIENCY **+45 μs**

H meters	LEVEL 1	LEVEL 2	LEVEL 3	LEVEL 4
2	25	32	34	36
3	38	48	51	55
4	51	65	70	73
5	62	80	83	89
10	64	83	91	94
20	65	86	97	99

Protection distances in meters



www.foudretech.com

info@foudretech.com