



# STAR® 660 Evolution

**EARLY STREAMER EMISSION (ESE)  
AIR TERMINAL – TESTING REMOTE**



Solar segment



## Reference

**STAR660 Evo**

## Technical specifications

Power $\Delta t$	<b>60 - microseconds boot time (<math>\mu s</math>)</b>
Lightning shock	Wave 10/350 microseconds
Test 100 kA	NFC 17102
Streamer	<ul style="list-style-type: none"> <li>• <b>System technology with controlled priming technology®</b></li> <li>• <b>High impulse voltage</b></li> </ul>
Structure	<ul style="list-style-type: none"> <li>• Electromagnetic cage, with electromechanical crimping</li> <li>• 6 stainless steel 316 differential fins</li> </ul>

## Fonctionnement

Ascending Tracer Detection	• Continuous measurement of ambient natural electric field
Power Management	<ul style="list-style-type: none"> <li>• Totally autonomous</li> <li>• No external power supply</li> </ul>
Maintenance	<ul style="list-style-type: none"> <li>• Modular parts interchangeable in factory</li> <li>• Dimension - 244 x 151 mm - M20 thread</li> <li>• Tightening torque</li> </ul>

## Test system

### Satellit self test

### Specific remote control

### Fixing lug

### Lightning down connection

### Universal mounting bracket

### Instructions for use

- **Star Evolution Tester**
- **Photovoltaic autonomy** (no battery)
- **Included** (Reference S1205)
- **Stainless steel**
- **Included** (Reference RAPC01)
- **Included** (Reference MANR01)
- **included**

## Impact on the environment

- 100% recyclable

## Guarantee

- ▶ **5 years manufacturer**

## Conditioning

### Packaging

- Adapted to the size of the STAR
- Dedicated custom cradles

### Size of the box

- 300 x 200 x 150 mm

### Net weight

- 1,962 Kgs

### Gross weight

- 2,082 Kgs (with specific box)

## Certifications

### Traceability / Control

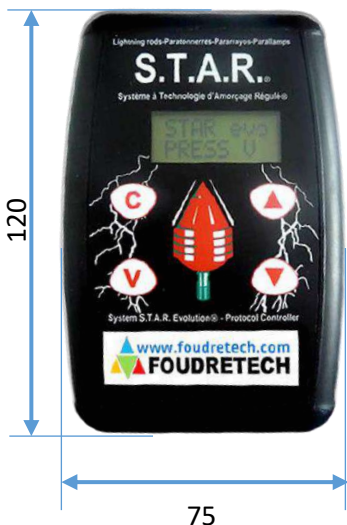
- Laser marking or specific engraving
- Indestructible self-labeling system
- Authentication by serial number
- Certified reference to the order

### Conformity

- NFC17102/1995
- NFC17102/2009
- NFC17102/2011

### Customs Code

- 85 36 90 85





- Early Streamer Emission (ESE). Air Terminal STAR660®  
Lightning Rod - STAR® Evolution - Testing remote.



## STAR® 660 Evolution

### ► Testing Remote

**Function test included.**

Reference : STAR660 evo

Description: **Lightning rod - Air Terminal  
Early Streamer Emission  
Autonomous photovoltaic system.  
Remote control tests.**

Power : **( $\Delta I = 60 \mu s$ )**  
► 6 stainless steel 316 differential fins

Net weight: 1.962 kgs  
Gross weight: 2.082 kgs (Package included)  
Dimensions: 244x151 mm



Included in the STAR® 660 Evo pack.

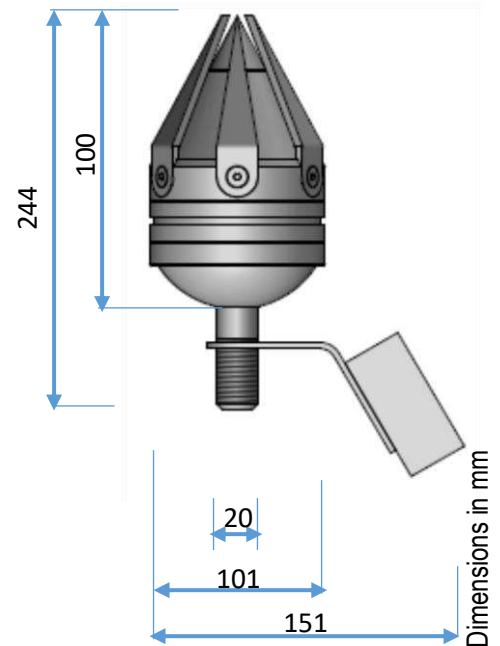
- ✓ STAR®660 Evolution Photovoltaic,
- ✓ Remote test remote control,
- ✓ Conductor fixing connection,
- ✓ Adaptation all supports,
- ✓ Technical assistance,
- ✓ Warranty 5 years manufacturer.

(Ref. STAR660 evo)

(Ref. S1205)

(Ref. RAPC02)

(Ref. MANR01)





## Early Streamer Emission (ESE). Air Terminal STAR660®

Lightning Rod - STAR® Evolution - Testing remote.

### STAR® 660 Evolution - PROTECTION RADIUS EFFICIENCY +60µs

H meters	LEVEL 1	LEVEL 2	LEVEL 3	LEVEL 4
2	32	40	42	44
3	48	59	61	65
4	64	78	82	87
<b>5</b>	<b>79</b>	<b>97</b>	<b>99</b>	<b>107</b>
10	80	99	101	109
20	82	101	103	111

Protection distances in meters

#### ► Advantages of the STAR® Evolution ESEAT Testing remote :

- ✓ Stand-alone Photovoltaic Power Supply,
- ✓ Remote control tests,
- ✓ Function tests,
- ✓ Product recognition,
- ✓ Electrical continuity test,
- ✓ Dating of the impacts of the lightning,
- ✓ List of lightning strikes,
- ✓ Respect of the environment,
- ✓ 5 years manufacturer's warranty.



#### THE + SAFETY

► The test system is used to interrogate the STAR® Evolution lightning rod, and to know its operating status without moving.

Manage the "health" and history of your STAR in real time.

This advanced technology is for the user, through a gain in security after information processing.

